

## Data Sheet

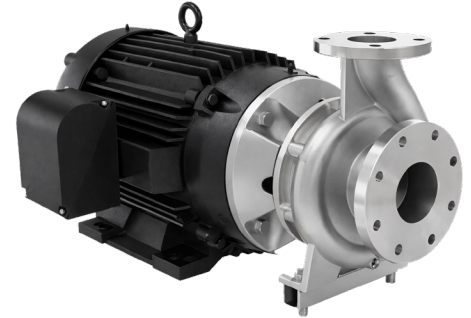
As industrial demands for efficiency and durability continue to grow, solutions like the CF-10 are becoming increasingly important. With its advanced design and performance, this pump is becoming a leader in the water treatment, chemical industry and agricultural applications.

The CF-10 is an end-suction centrifugal pump constructed of high-grade 316 stainless steel for maximum corrosion resistance. The design includes a semi-open and closed impeller, which allows for the transport of liquids with higher contamination loads and optimized flow.

**Efficiency:** Handles flows up to 650 GPM and heads up to 260 ft, meeting the needs of demanding applications.

**Versatility:** Ideal for water treatment, chemical industry and agricultural systems.

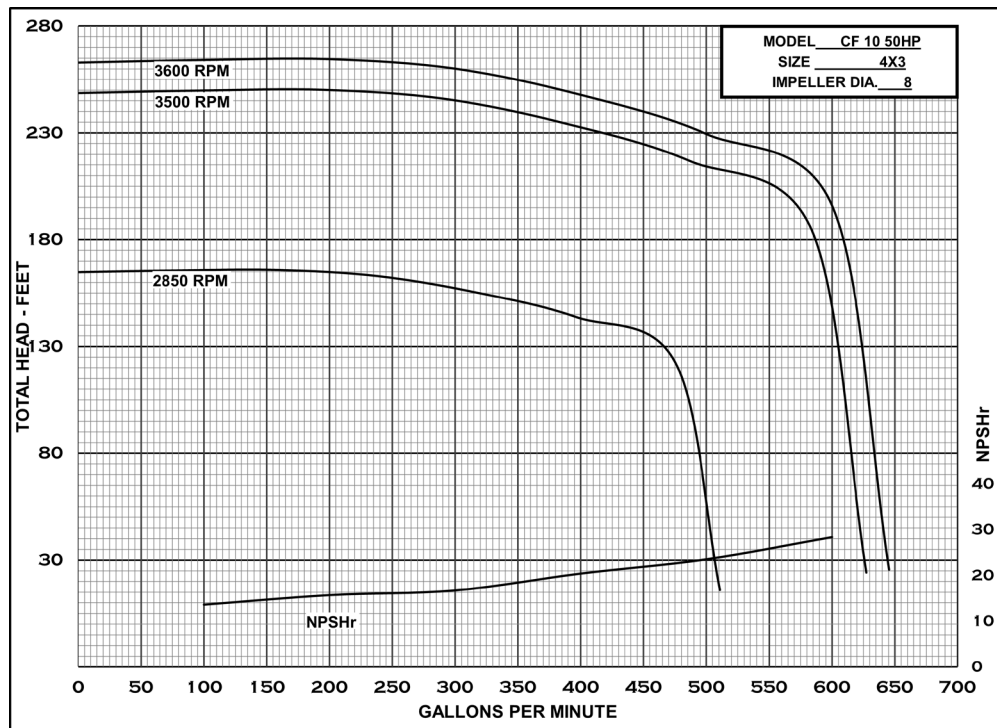
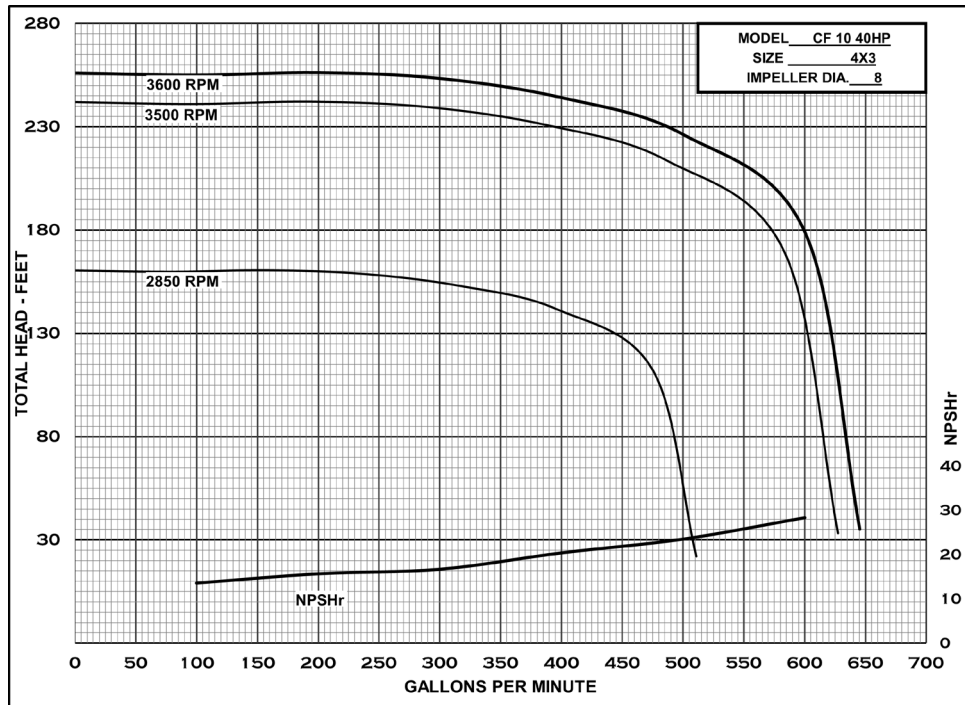
**Durability and economy:** Lower maintenance costs thanks to robust design and reliable materials.



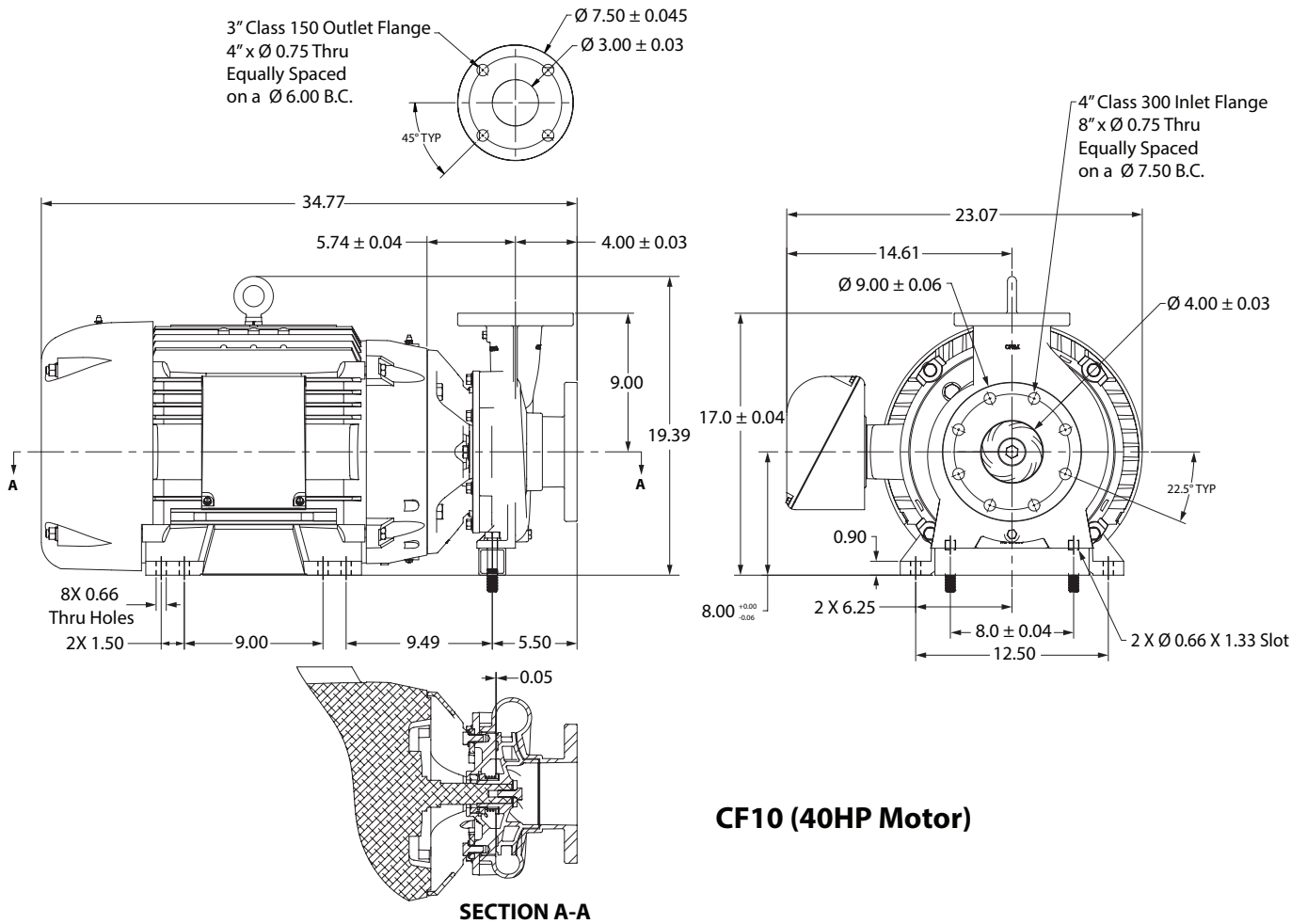
### Technical Data

<b>Suction / Discharge</b>	4" 300# ANSI x 3" 150# ANSI flanges
<b>Materials of Construction</b>	316 Stainless Steel
<b>Flow</b>	Up to 650 GPM (148 m3/h)
<b>Head Feet</b>	Up to 260' (80 m)
<b>Impeller</b>	8.0" (203.2 mm) enclosed, cast CF8M 316 SS
<b>Motor</b>	Up to 50 HP (37.3 kW)
<b>Seal</b>	Type 21, Carbon, Ceramic, Viton Standard
<b>Drive Options</b>	Close coupled 324JM Close coupled 326JM PumPak® (without motor)
<b>Drive Sleeve</b>	Impeller threaded to motor
<b>Options</b>	Plan 11 seal flush

## Performance Curves



## Dimensions



## Dimensions

